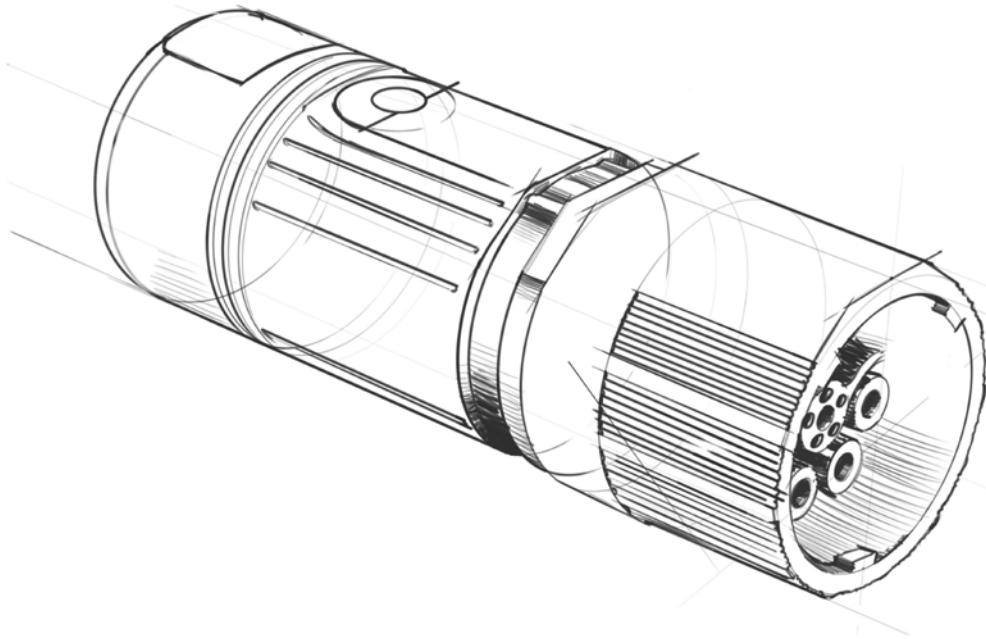


Pronet

Your specialist for cables and connectors



Circular connectors



We are the largest Intercontec-Distributor.

- technical support
- large inventory
- very quick offer phase
- fast delivery time / 24h delivery for stock articles



smiths interconnect

HYPERTAC

Heavy rectangular connectors



Pushing Performance
Since 1945



molex

- large inventory
- quick offer receive
- ex stock deliverable

D-SUB connector



Pushing Performance
Since 1945

- ex stock deliverable
- we help you with technical questions
- also cost-saving alternatives available in stock

RJ45- / Mini IO-connector



- ex stock deliverable
- field-assembly products
- improved vibration resistance
- improved EMC values

M8- / M12 connector



- ex stock deliverable
- technical support
- X-coded connectors with up to 10 Gbit/s possible
- A-, B-, D-, X-, S-, T-Coding
- 3-, 4-, 5-, 8-, and 12-pin

MIL-connector



- efficient advice through many years of experience
- very robust housing and surfaces
- vast selection of designs and inserts
- high currents possible

Crimping tools



Everything about crimping. We help you to find the right crimping-tool for your applications.

- very large portfolio
- calibration- & repair-service
- fast delivery time



Cable assembly



Standard cable assemblies for common servo-drive-systems:

- Siemens
- SEW
- Lenze
- Baumüller
- Bosch-Rexroth
- Schneider Electric
- B&R
- and much more...

Special cable assemblies

Assemblies

Braid assemblies

Cable bulk stock



We also supply you with bulk-cables from well-known manufacturers. Our customers benefit from our inventory.

Special and customer-specific cables

Hybrid- or custom-cables?

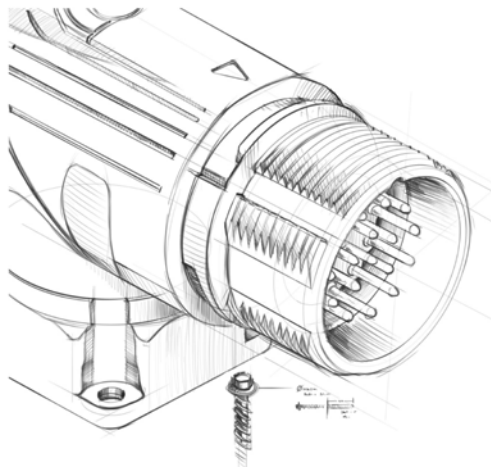
We have the right cable for you!

Control cabinet technology



We are an official distributor of Schneider Electric..

- Offers within 24 hours
- available from stock, 24-hour deliveries - we adapt to your needs
- We help you with technical questions



Contact

Distribution DE-AU-CH

Tel.: +49 6106 / 26849 35

Mobile: +49 151 / 21253352

Mail: daniel.pieh@pronet-connectivity.com

Customer Service

Tel.: +49 6106 / 26849 0

Fax: +49 6106 / 26849 10

Mail: info-pronet@pronet-connectivity.com

Technical internal sales

Tel.: +49 6106 / 26849 42

Fax: +49 6106 / 26849 10

Mail: info-pronet@pronet-connectivity.com

Visit pour homepage

www.pronet-connectivity.com

<https://pronet-connected.com>



Please also consider visiting our *Pronet* online shop!

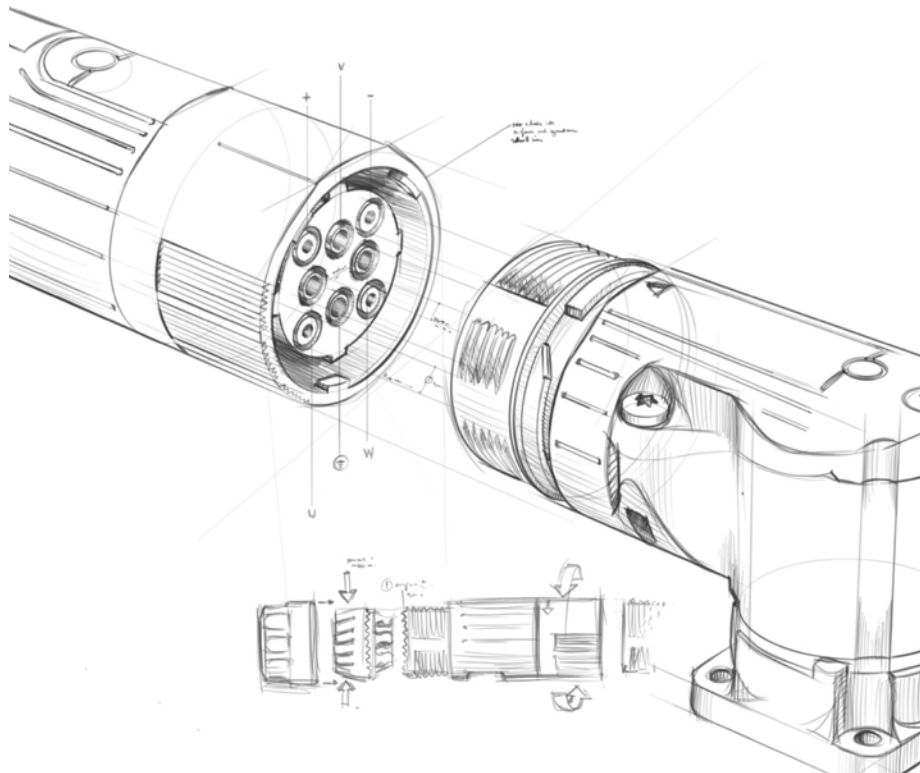


Pronet is also a distributor and integration partner for automation components and collaborative robots.

Pronet is your official distributor.

- ➔ We deliver from stock!
- ➔ Connector kits & individual parts
- ➔ Product configurator
- ➔ Technical Support





Pronet GmbH

Otto-Hahn-Straße 2a
D-63110 Rodgau-Jügesheim

Tel.: +49 6106 - 26849 - 0

Fax: +49 6106 - 26849 - 10

Mail: info-pronet@pronet-connectivity.com